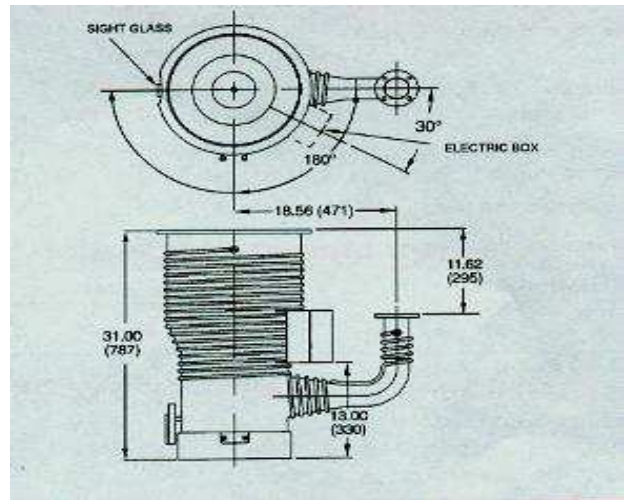
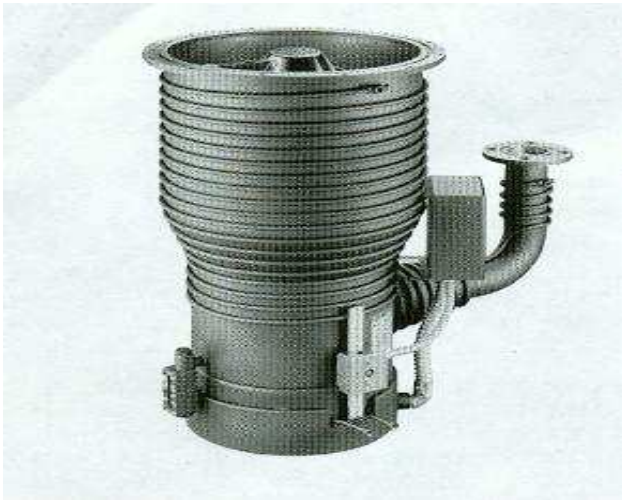
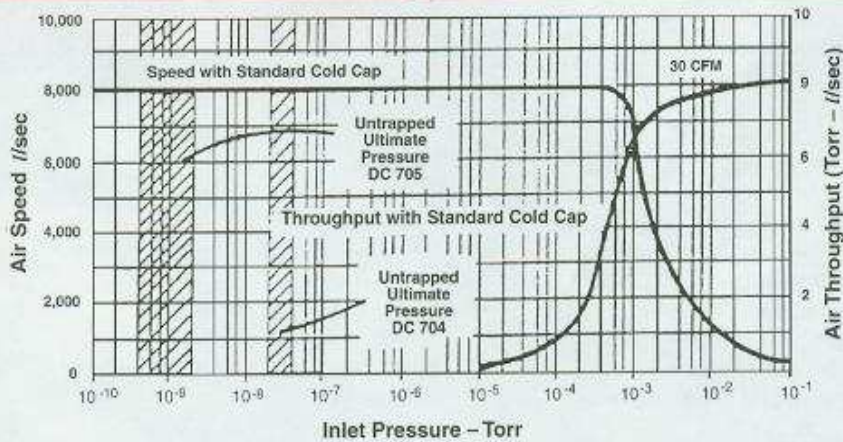


# DIFFUSION PUMP 10吋



## Speed Curve



## Technical Specifications

### Pumping Speed

8,000 l/s (air) 10,000 l/s (He)

### Maximum Throughput

At 4400 W 8 T-l/s (10.6 mbar l/s)

At 5100 W 8.4 T-l/s (11.2 mbar l/s)

### Operating Range

$1 \times 10^{-3}$  to  $< 5 \times 10^{-9}$  torr

$1.3 \times 10^{-3}$  to  $< 6.5 \times 10^{-9}$  mbar

### Maximum Forepressure

No Load 0.65 torr (0.85 mbar)

Full Load 0.55 torr (0.72 mbar)

### Recommended Backing Pump

$\geq 30$  cfm (51 m<sup>3</sup>/hr)

### Backstreaming Rate

$< 1.0 \times 10^{-3}$  mg/cm<sup>2</sup>/min

## NEW - Exact fluid charges now available!

### Warmup Time

15 minutes

### Cooldown Time

25 minutes

### Fluid Charge

1,000 cc - exact pump charge now available

### Electrical Requirements

3 ph, 50/60 Hz, 208/380/480 VAC

### Pump Power

4400 watts/5100 watts

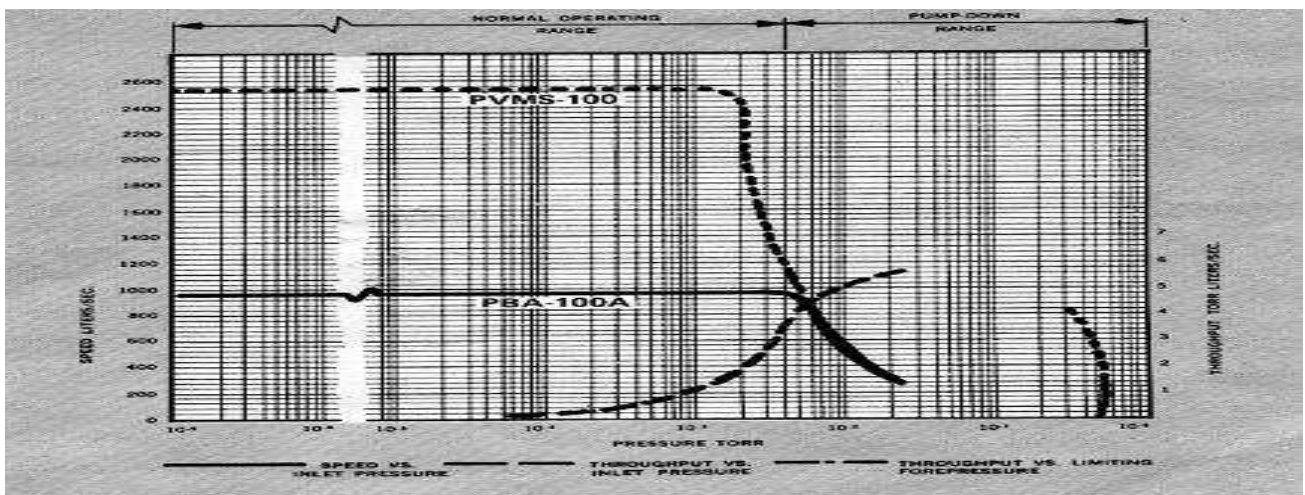
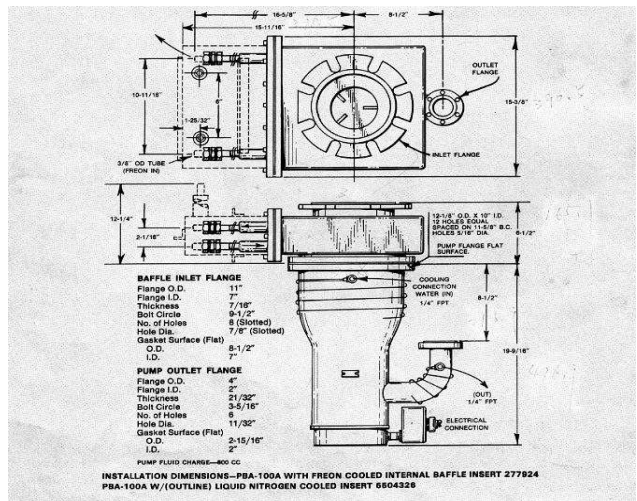
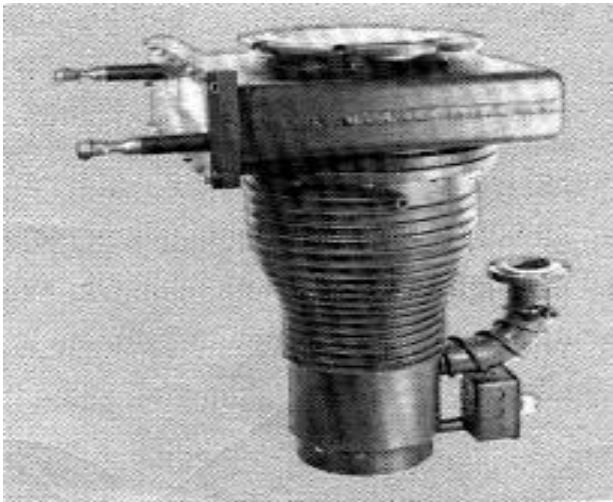
### Cooling Water Requirements

0.40 gpm (80 l/hr)

### Water Connections

$\frac{1}{8}$  in. FPT Tee

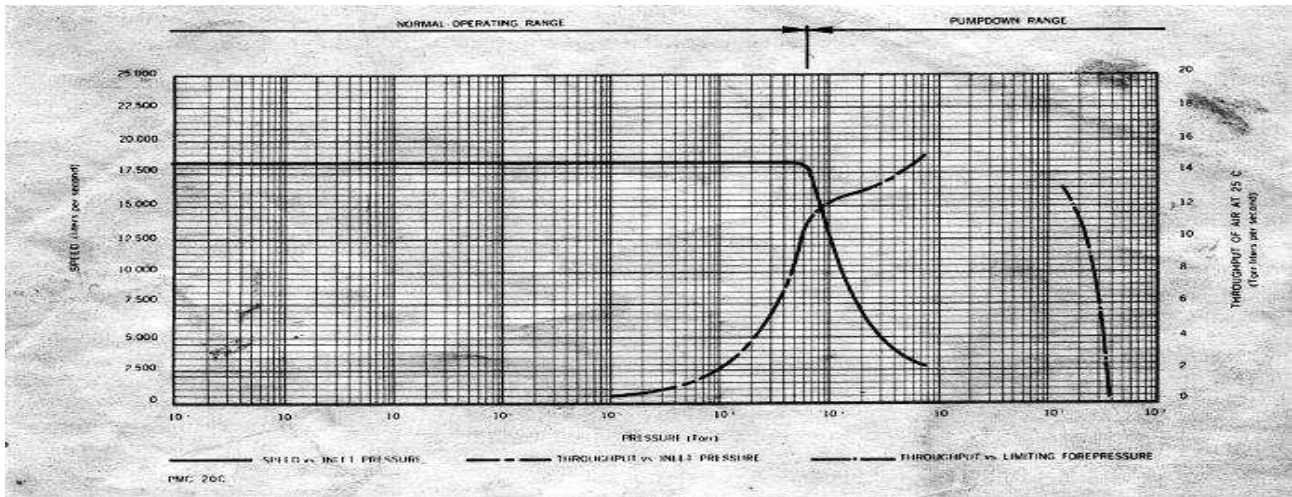
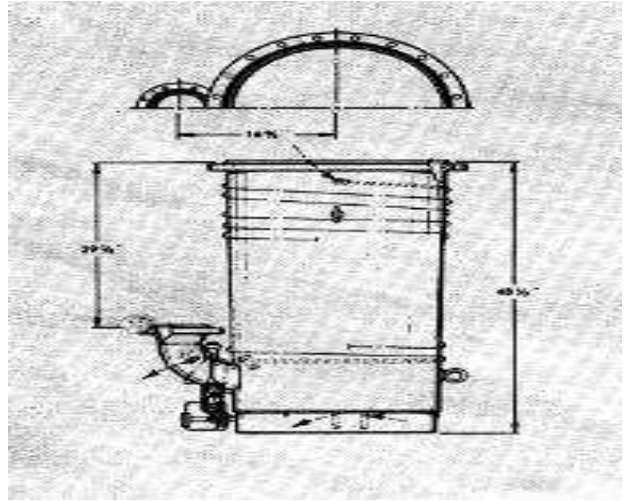
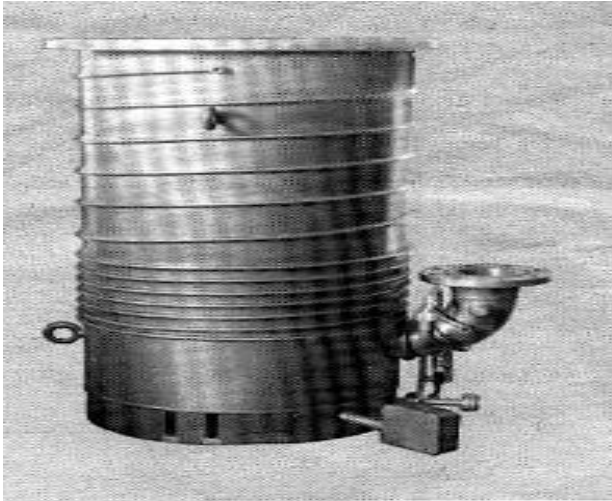
# DIFFUSION PUMP 6吋



## FEATURES

- High Speed (2500 Liters Per Second For Pump Alone) And Throughput Reduce Non-Productive Time In Cyclic Production Applications
- Chamber Cleanliness Is Protected By Patented DriCap<sup>®</sup> Shield and Oleophobic Polymer Coating
- Pumping Package Offers Choice Of Baffles And Accessories For Automatic Cooling

# DIFFUSION PUMP 20吋



## FEATURES

- High Speed . . . 18,000 Liters Per Second For Air
- Throughput of 12,000 Millitorr-Liters Per Second in Pumpdown Range
- Extremely Low Backstreaming Rate
- Overall Height Only 4 Feet
- Nozzle Hold-Down
- Consistent Pump to Pump Performance
- Fast Warm-up . . . Quick Cooldown
- Fluid Level Gauge
- Heater Ring Temperature Sensor