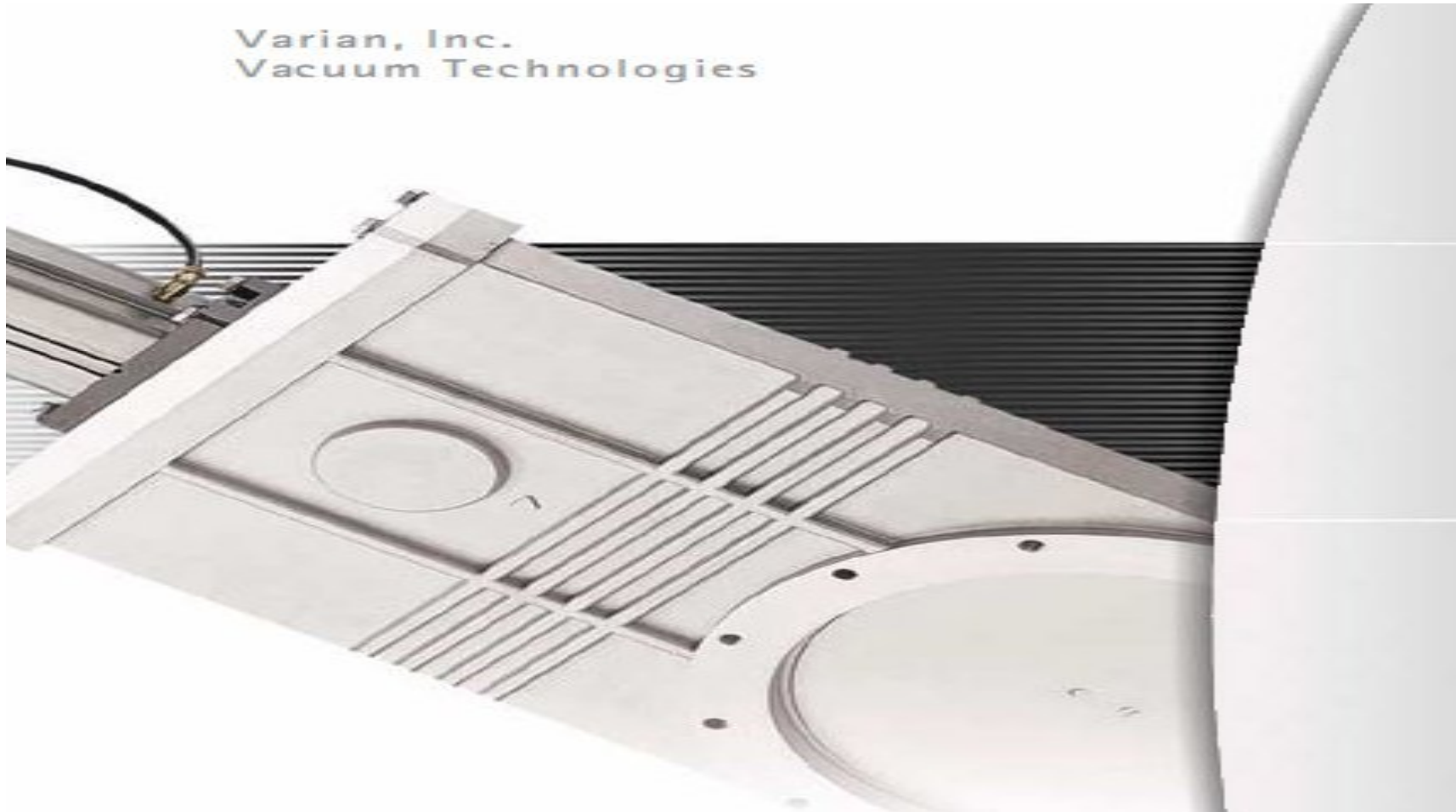




varian®
vacuum products

Varian, Inc.
Vacuum Technologies



新竹縣308寶山鄉大崎村竹園路82巷11號1樓

Tel : 03-5647058 Fax : 03-5647059

E-mail: andy@yenroll.com



varian [®]
vacuum products

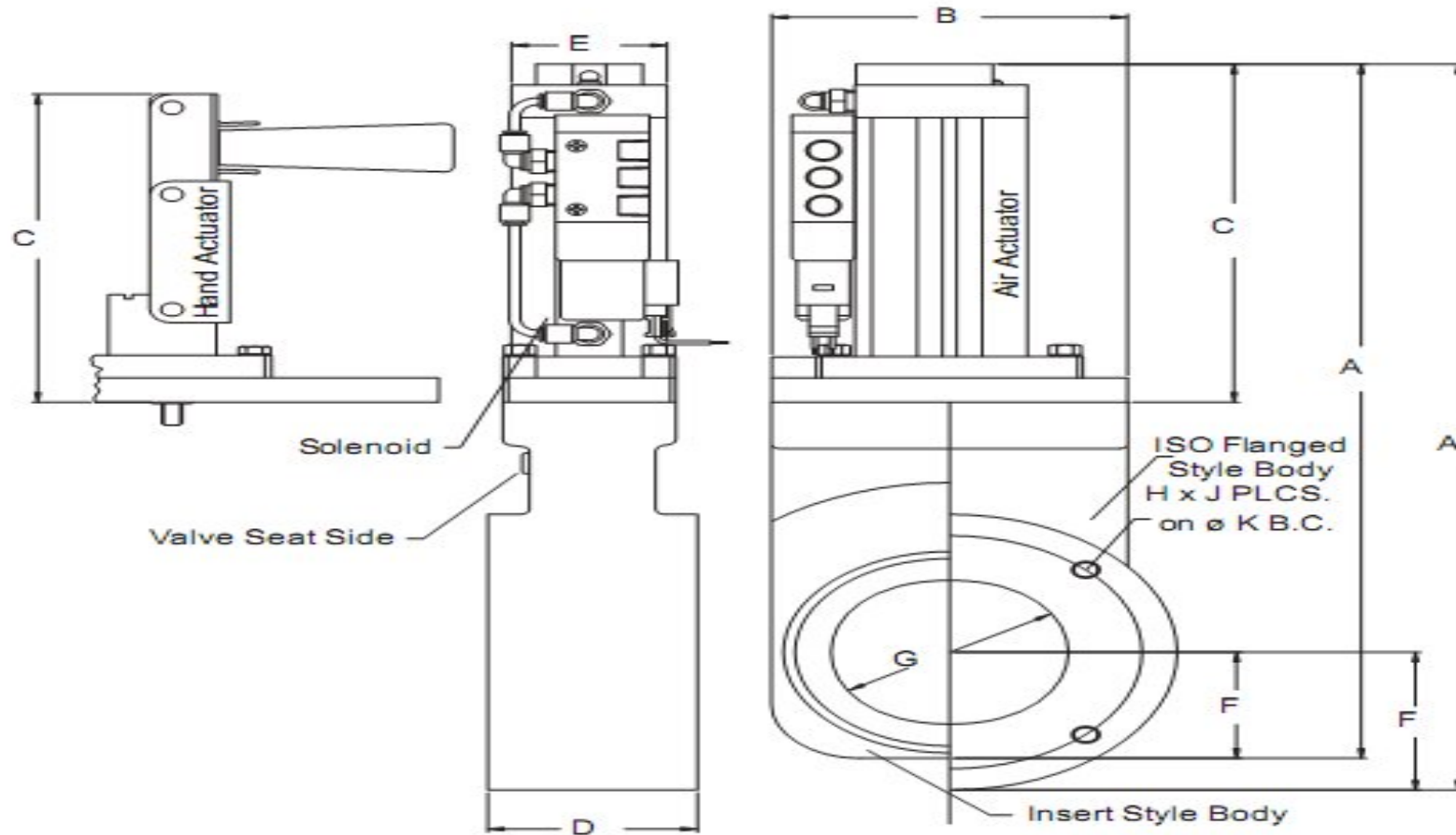
Valve Selection Guide									
Vacuum Range	Valve Type		Housing Material		Size Range	Feedthrough (I.D.)	Flange Options Type	Actuation Options	Ref. Page
			Al	SS					
Rough to High Vacuum									
Atm 10 ⁻⁶ torr	Block	Right Angle	•		0.75 in. to 1.0 in.	Shaft	ISO-KF	Electromagnetic	318
Atm 10 ⁻⁶ torr	Block	Right Angle	•		0.75 in. to 3 in.	Bellows	ISO-KF	Manual/Air	320
Atm 10 ⁻⁶ torr	Block	In-Line	•		0.75 in. to 1.5 in.	Bellows	ISO-KF	Manual/Air	322
Atm 10 ⁻⁶ torr	Block	Right Angle		•	0.75 in. to 1.5 in.	Bellows	CF, ISO-KF, Weld	Manual/Air	326
Atm 10 ⁻⁶ torr	Block	In-Line		•	0.75 in. to 1.0 in.	Bellows	CF, ISO-KF, Weld	Manual/Air	326
Atm 10 ⁻⁶ torr	Tube MBS*	Right Angle		•	0.75 in. to 1.5 in.	Bellows	CF	Manual/Air	332
Atm 10 ⁻⁶ torr	Tube MBS*	In-Line		•	0.75 in. to 1.5 in.	Bellows	CF	Manual/Air	332
Atm 10 ⁻⁶ torr	Gate	Gate Keeper	•		2.5 in. to 10 in.	Shaft	ISO, ASA	Manual/Air	336
Ultra High Vacuum									
Atm 10 ⁻¹¹ torr	UHV, All-Metal	Right Angle		•	0.75 in. to 2.5 in.	Bellows	CF	Manual	340
Atm 10 ⁻¹¹ torr	UHV, All-Metal	In-Line		•	1.5 in.	Bellows	CF	Manual	340
Atm 10 ⁻¹¹ torr	UHV, All-Metal	Tee		•	1.5 in.	Bellows	CF	Manual	340
Special Purpose									
Atm 10 ⁻⁴ torr	Variable Leak			•		Bellows	CF	Manual	342
Atm 10 ⁻⁴ torr	Vacuum Pump Isolation (VPI)		•		NW25-NW40	Shaft	ISO-KF	ATM Air	343

新竹縣308寶山鄉大崎村竹園路82巷11號1樓

Tel : 03-5647058 Fax : 03-5647059

E-mail: andy@yenroll.com

Gate Keeper Aluminum Gate Valve



新竹縣308寶山鄉大崎村竹園路82巷11號1樓

Tel : 03-5647058 Fax : 03-5647059

E-mail: andy@yenroll.com



varian®
vacuum products

Technical Specifications				
	63 mm	100 mm	160 mm/4 in. ASA	250 mm
Vacuum range	Atmosphere to below 1×10^{-7} torr			
Sealing mechanism type	Linear drive with seal plate and backing plate			
Feedthrough type	Viton shaft seal			
Leak rates	Valve Body: $< 1 \times 10^{-9}$ std cc/sec helium Main Seal: $< 1 \times 10^{-9}$ std cc/sec helium			
Seal materials	Gate: Viton Bonnet: Viton			
Pneumatic operation	Actuation: Compressed Air (80 to 120 psi) Normally closed; valve closes on power loss			
Open/close	<2 seconds			
Conductance @ molecular flow	550 l/s	2,000 l/s	7,000 l/s	26,000 l/s
Flanges (ISO/F bolted tapped)	NW63	NW100	NW160	NW250
Mounting position	Any			
Bakeable to -	Valve Body: 150° C 80° C			
Pneumatic actuator and solenoid	100,000			
Cycles before first service	Remote standard			
Position indication				

新竹縣308寶山鄉大崎村竹園路82巷11號1樓

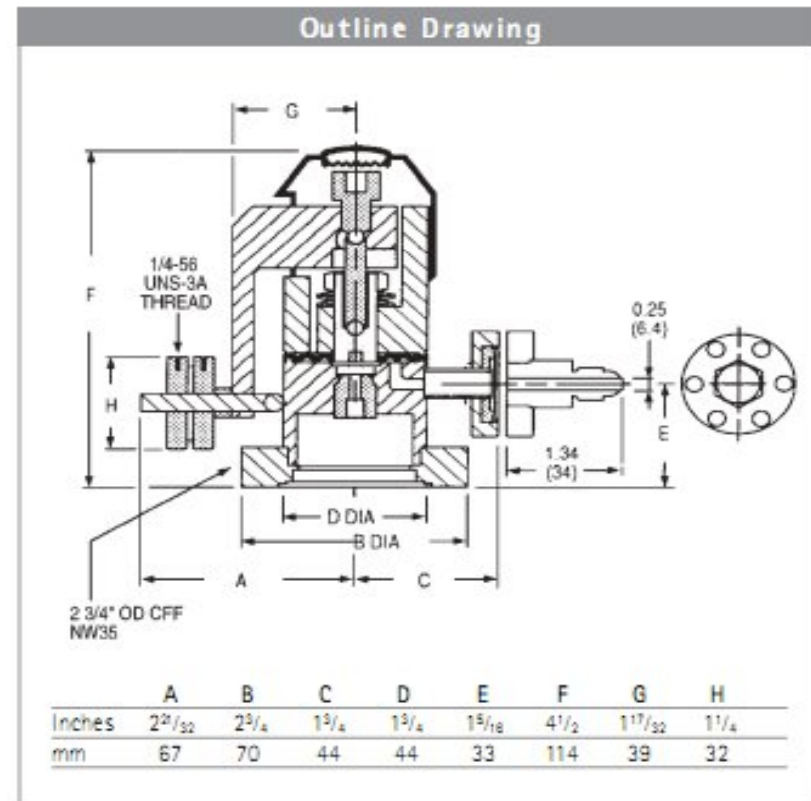
Tel : 03-5647058 Fax : 03-5647059

E-mail: andy@yenroll.com



varian ^{1FA}
vacuum products

Variable Leak Valve



新竹縣308寶山鄉大崎村竹園路82巷11號1樓

Tel : 03-5647058 Fax : 03-5647059

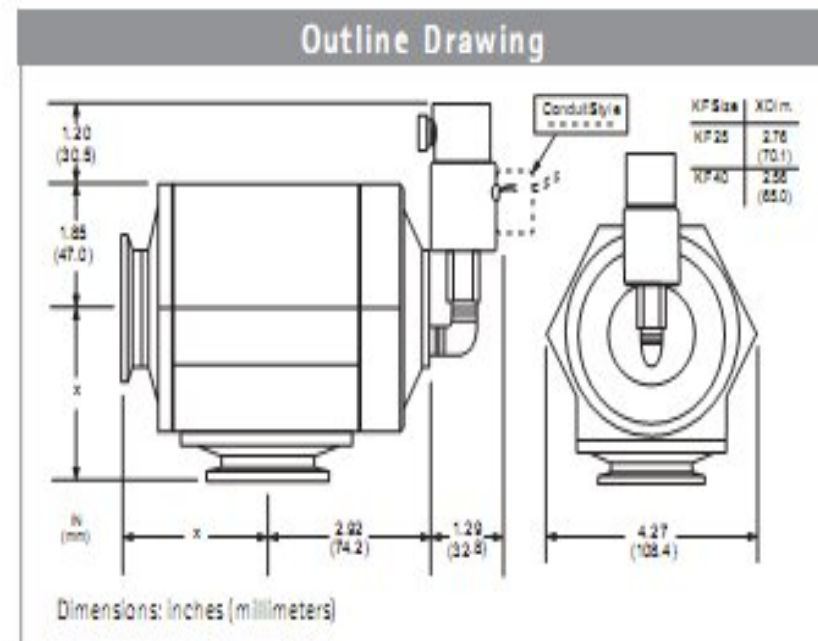
E-mail: andy@yenroll.com



varian ^{VFA}
vacuum products

Valves
Special Purpose

Vacuum Pump Isolation Valve (VPI)



新竹縣308寶山鄉大崎村竹園路82巷11號1樓

Tel : 03-5647058 Fax : 03-5647059

E-mail: andy@yenroll.com